



HYDRAULIC ROCK BREAKER

# M900



COMPACT FRAME  
WITH HEAVY POWER

DESIGNED FOR  
15 TO 25 TONNES CARRIERS

PROVEN RELIABILITY

USER FRIENDLY

## BENEFITS

- Hydraulic accumulator: no more regular nitrogen controls and recharges on jobsite.
- Automatic lubrication: cartridge grease pump mounted on breaker, or tank mounted on excavator.
- Made in France: superior quality steel and manufacturing excellence.
- Blank firing protection: increased wear parts lifespan.

## HYDRAULIC ROCK BREAKER

# COMPACT FRAME WITH HEAVY POWER

# M900

### WEIGHT & DIMENSIONS

#### WEIGHT (KG/LB)

BREAKER	853	1,881
+ MOUNTED TOOL	956	2,108
+ MOUNTED ADAPTER PLATE (MAX)	1,211	2,670

#### DIMENSIONS (MM/IN)

A	1,645	64.76
B	475	18.7
C	461.5	18.17
D	284	11.18
E	52	2.05

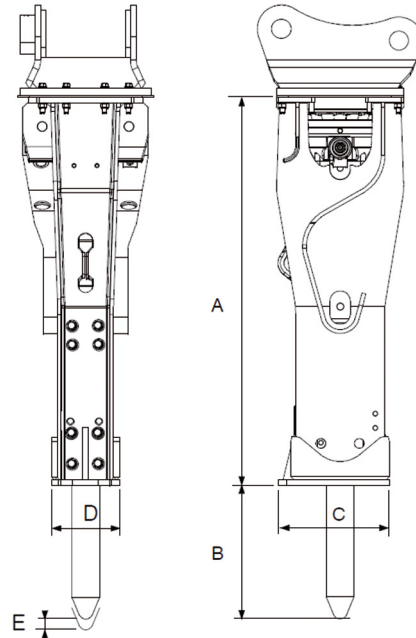
### OPERATING INFORMATION

CARRIER WEIGHT RANGE (MIN-MAX, MT)	15-25
OIL FLOW (MIN-MAX, L/MIN, GPM)	100-150 26.4-40
MAXIMUM OPERATING PRESSURE (BAR/PSI)	125 1,813
MAXIMUM BACK PRESSURE (BAR/PSI)	10 145
INPUT POWER (KW)	39.6
STRIKING FREQUENCY (MIN-MAX, BPM)	400-800
NOISE LEVEL /10M (DBA)	95
SOUNDPROOFING	standard
PRESSURIZATION	preinstalled

### OPTIONS

#### CPN

AUTOMATIC LUBRICATION KIT LEFT HP (CARTRIDGES)	86767720
AUTOMATIC LUBRICATION KIT RIGHT HP (CARTRIDGES)	86779014
CARRIER MOUNTED AUTOMATIC LUBRICATION KIT	86417243
PRESSURIZATION KIT	86411154
ADAPTER PLATE	upon request
SPECIAL PAINTING	upon request



### CONSUMABLES

#### CPN

GREASE CARTRIDGES (X48, HAND PUMP)	86799152
GREASE CARTRIDGES (X48, AUTOMATIC LUBRICATION)	86784758

### MAINTENANCE KITS

#### CPN

LEVEL 1	86603990
LEVEL 2	86604022

### TOOLS

DIAMETER (MM/IN)	118	118	118	118	118
LENGTH (MM/IN)	1,000/39.4	1,300/51.2	1,000/39.4	1,300/51.2	1,000/39.4
WEIGHT (KG/LB)	77/170	102/225	76/168	103/227	80.6/177.6
CPN	86730579	86421948	86730561	86643681	86797651



The content of this brochure constitutes non-binding information and may be changed at any time without notice. Montabert gives, and the brochure contains, no warranties whatsoever, express or implied. All the contents, including but not limited to text, images, graphics are all subject to copyright and all intellectual property protection. Their use or misuse is strictly prohibited. Montabert, KMC or Komatsu trademarks used herein are the property of their respective companies. Nothing contained on this document shall be construed as constituting any commitment by Montabert or as granting any license or right to use any intellectual property. ©2019 Montabert. All rights reserved.

montabert.com

